

WALLY

Lasertex 

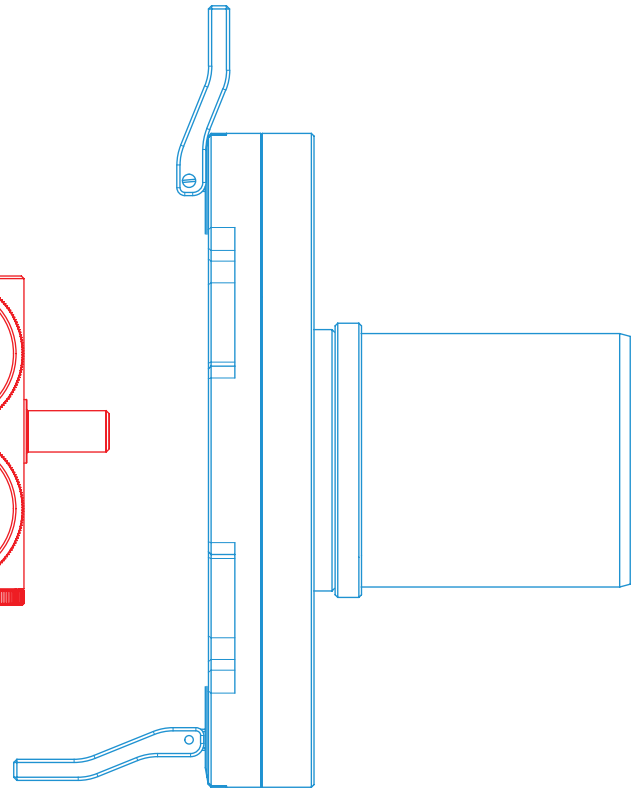
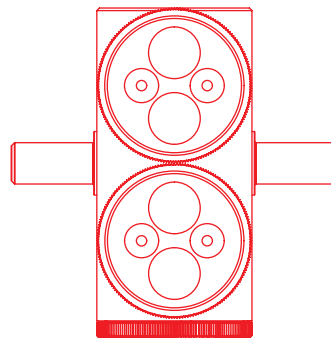
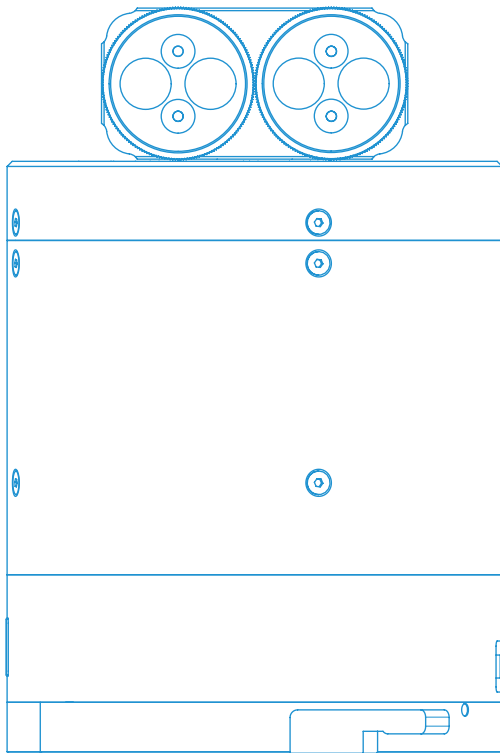
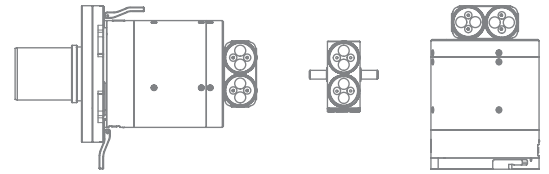


WALLY ROTARY ENCODER



WALLY

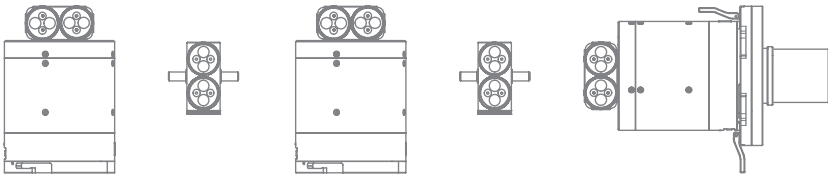
Rotary Encoder



Wally Rotary Encoder is specially designed wireless system that helps in measuring positional accuracy of rotary axes. This setup compares rotation of the machine tool with result measured by Wally. Correct angular positioning of the rotary table and its repeatability are essential for each high-precision CNC and CMM machine.

Wally Rotary Encoder offers new measurement and calibration possibilities of rotary axes. The device is an optional accessory for HPI-3D measurement system. System offers high precision results that can be used for analysis and automatic or manual calibration of the rotary axes. Furthermore, the rotary measurements feature is a part of standard HPI-3D

software, so there is no need to learn a new software. Flexible mounting options allow various applications as well as fast and easy system mount and dismount. Alignment can take only a couple of minutes. Built-in Lithium-Ion battery offers up to thirty hours of constant operation.

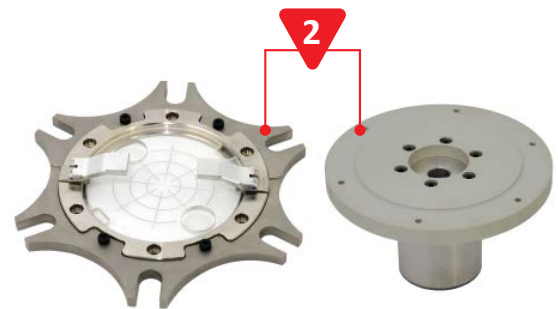


WALLY

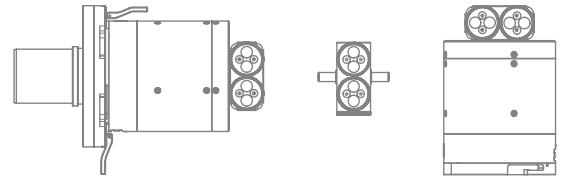
Standard set



1. Wally (angular encoder)
2. Mounting base
3. Optical element IK1
4. USB stick with PC software
5. Power supply adapter
6. Ultra-durable case



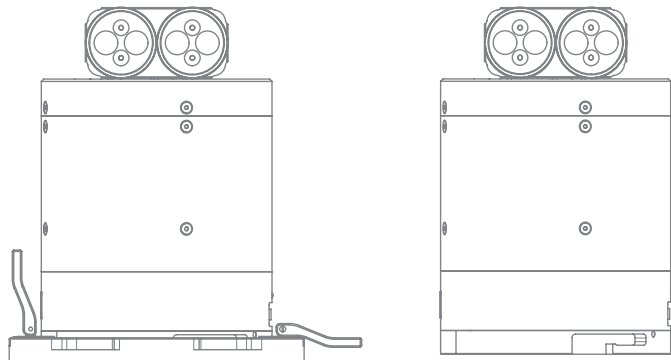
WALLY



Highlights

- Automatic work – after setting just push START button to begin measurement, everything is done automatically
- Highest accuracy & precision – 1 arc-second precision with 0,5 arc second repeatability
- Fast & easy beam alignment – easy to use and intuitive software helps with fast and effective set up of equipment
- Wireless operation – Wally communicates with PC via Bluetooth, the high capacity built-in battery allows for 30 hours work
- Module mountings – special mountings are designed to fit every kind of machine tool
- Off-axis measurements – new software allows for off-axis measurements which are used especially for 5-axis machines

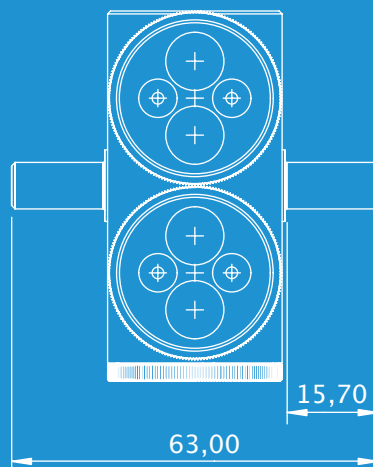
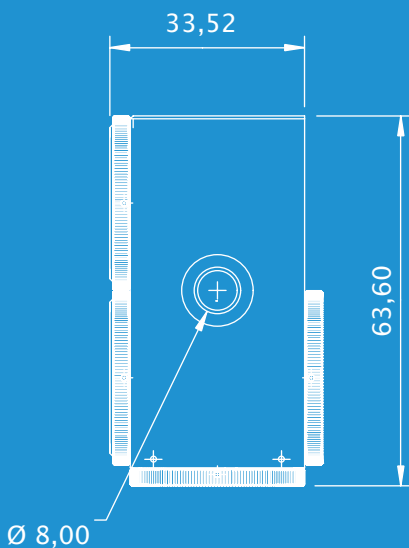
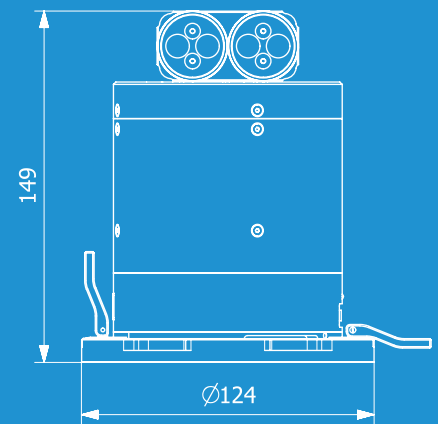
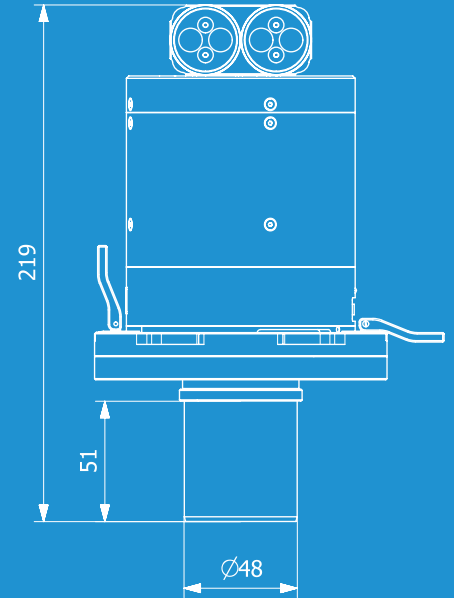
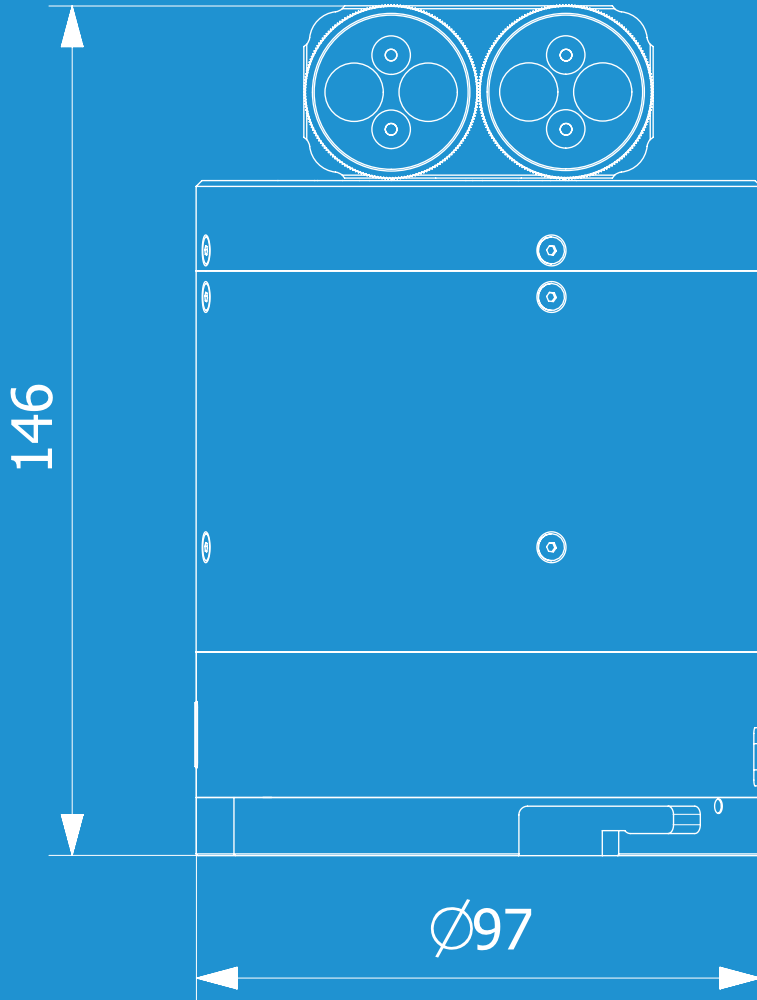
Specification



Parameter	Range
Accuracy	1 arc-sec
Resolution	0.01 arc-sec
Measurement range	no limit
Maximum turning speed	30 U/min
Operation temperature range	10°C – 35°C
Triggering and control	Wireless link, 2.4 GHz
Weight of the Wally Set with a suitcase	7,2 kg
Angle Encoder weight	2,6 kg
Rechargeable battery	30h of operation (rechargeable within 3h)

Dimensions

WALLY



* The scale is consistent within one part. The dimensions are metrical and presented in millimetres.



WALLY

Lasertex 

Contacts in Italy



NEWTON
ALLINEAMENTO LASER

Newton Srl

Via del Sorgo, 12 - 30173 Mestre - VE
T. 041 5369164 - Fax. 041 612554
www.allineamentolaser.com